



AK 4.10 FRM10X45 KBF0.4 12 TGTZN (371 008)

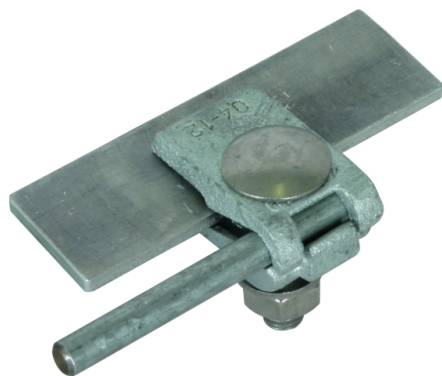
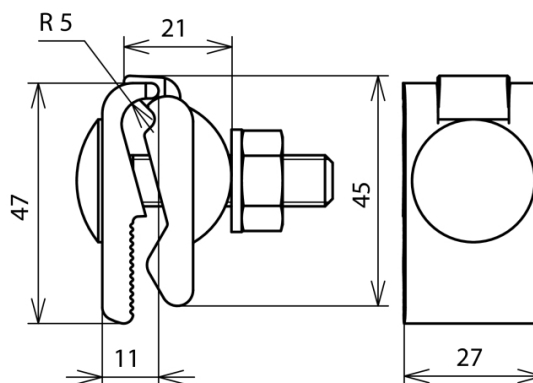


Figure without obligation



Part No.	371 008
Clamping range	0.4-12 mm
Material of clamp	MCI/tZn
Clamping range Rd	4-10 mm
Screw	⬆ M10 x 45 mm
Material of screw / nut	StSt
Standard	EN 62561-1
Weight	148 g
Customs tariff number	85389099
GTIN	4013364024670
PU	50 pc(s)

We reserve the right to introduce changes in performance, configuration and technology, dimensions, weights and materials in the course of technical progress. The figures are shown without obligation.